

(1)	(2)	(3)	(4)	(5)	(6)	(7)	(8)	(9)	(10)
SMR Code	Federal Stock Number	DESCRIPTION	UNIT	Qty	30-day DS maint	30-day GS maint	1-yr Depot	Illustration	
			of meas	inc. in Unit	allowance	allowance	alw	maint	
					(a)	(b)	(c)	(a)	(b)
					1-20	21-50	51-100	1-20	21-50
					gcy			per equip	100
								Figure No.	(a)
									(b)
									Item No.

Reference Number & Mfr. Code

Usable On Code

0801-POWER TRANSFER AND FINAL
DRIVE ASSEMBLIES-CONTINUED

P-F	2520-033-6017	GEAR,HELICAL: HIGH RANGE INTERMEDIATE SHAFT 7346766 (19207)	A	EA	1	*	*	*	*	*	*	8	10	54	22
P-F	2520-734-6772	SHAFT, INTERMEDIATE: 7346772 (19207)	A	EA	1	*	*	*	*	*	*	8	10	54	23
P-F	5315-850-7038	KEY,WOODRUFF: INTERMEDIATE SHAFT MS35756-105 (96906)	A	EA	2	*	*	*	*	*	*	6	10	54	24
P-F	2520-734-6765	GEAR,HELICAL: LOW RANGE 7346765 (19207)	A	EA	1	*	*	*	*	*	*	8	10	54	25
P-F	5340-737-5284	RING,RETAINING: INTERMEDIATE SHAFT 7375284 (19207)	A	EA	1	*	*	*	*	*	*	6	10	54	26
P-F	2520-734-6767	GEAR,HELICAL: INTERMEDIATE SHAFT 7346767 (19207)	A	EA	1	*	*	*	*	*	*	8	10	54	27
P-F	2520-737-5289	FORK,DECLUTCH: FRONT AXLE OUTPUT SHAFT 7375289 (19207)	A	EA	1	*	*	*	*	*	*	8	10	55	1
P-F	2520-734-6803	SHAFT: FRONT AXLE SHIFTER DECLUTCH 7346803 (19207)	A	EA	1	*	*	*	*	*	*	8	10	55	2
P-F	2520-737-5282	PACKING,PREFORMED: FRONT AXLE DECLUTCH SHIFTER 7375282 (19207)	A	EA	1	*	*	*	*	*	*	8	10	55	3
P-F	5310-188-4195	WASHER,FLAT: FRONT AXLE DECLUTCH SHIFTER 1263 (76894)	A	EA	1	*	*	*	*	*	*	6	10	55	4
P-F	2520-734-6756	CYLINDER,AIR TRANSFER: DECLUTCH SHIFTER FORK 7346756 (19207)	A	EA	1	*	*	*	*	*	*	8	10	55	5
X1		RING: CYLINDER PISTON 8758296 (19207)	A		2									55	6
X1		WASHER,PLAIN: SPRING RETAINER MSP-4X2314 (26009)	A		1									55	7
X1		RETAINER: CYLINDER PISTON 8758291 (19207)	A		2									55	8
X1		SPRING HELICAL: PISTON 8758293 (19207)	A		2									55	9
X1		PISTON: AIR CYLINDER 8758295 (19207)	A		1									55	10
P-F	2520-832-8235	SEAL: AIR SHIFT CYLINDER PISTON 8758294 (19207)	A	EA	2	*	*	*	*	*	*	15	30	55	11
P-F	2520-832-7774	GASKET: AIR SHIFT CYLINDER PISTON 10913209 (19207)	A	EA	2	*	*	*	*	*	*	15	30	55	12
X1		TUBE: CYLINDER PISTON 8758292 (19207)	A		1									55	13

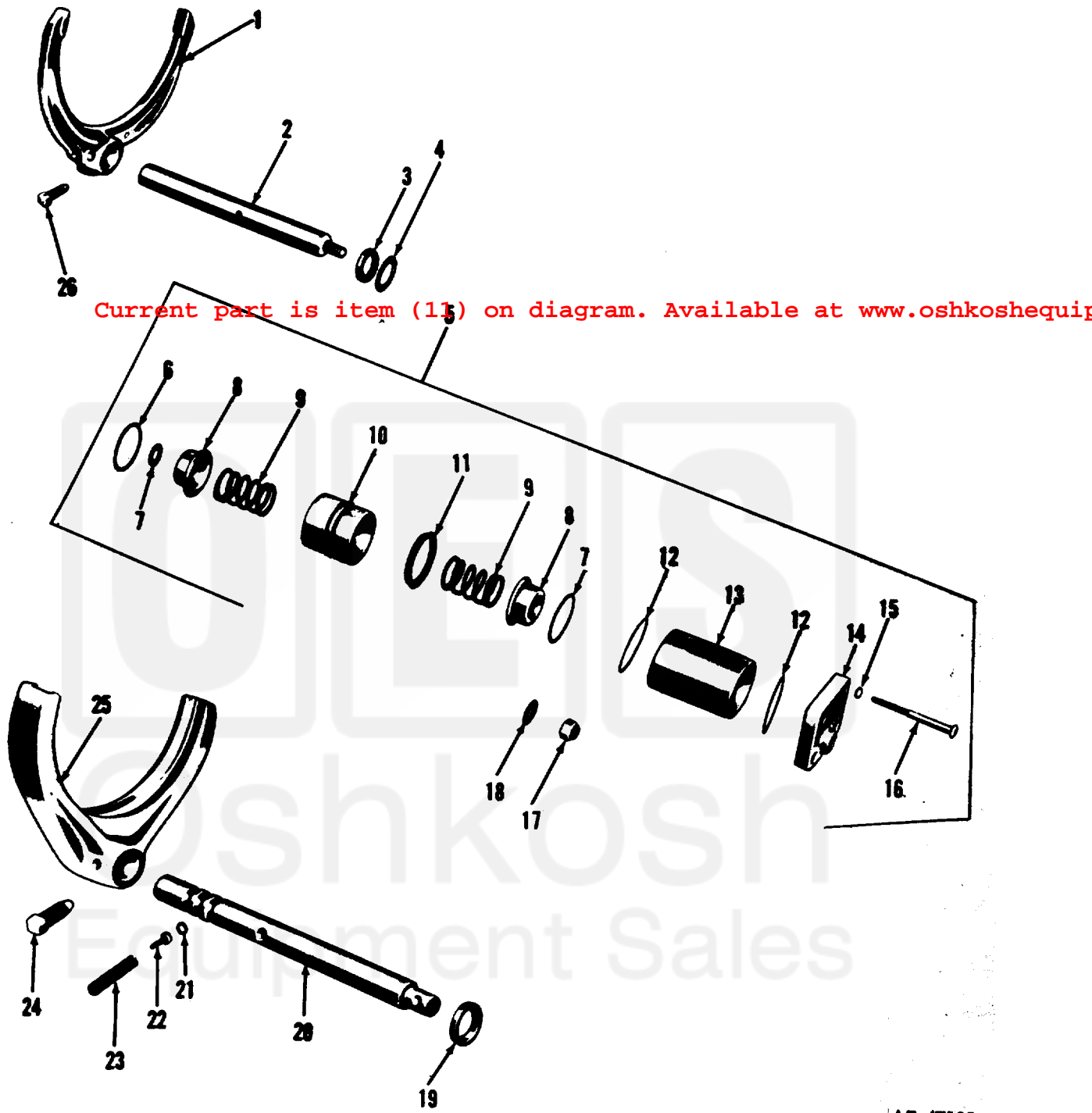


Figure 55. Input and output shifter shafts.

AT 47195

Current part is item (11) on diagram. Available at www.oshkoshequip.com